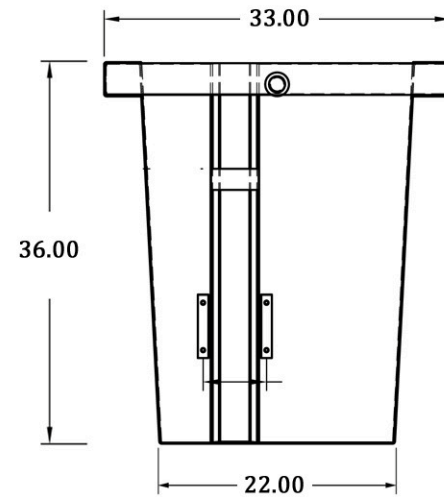
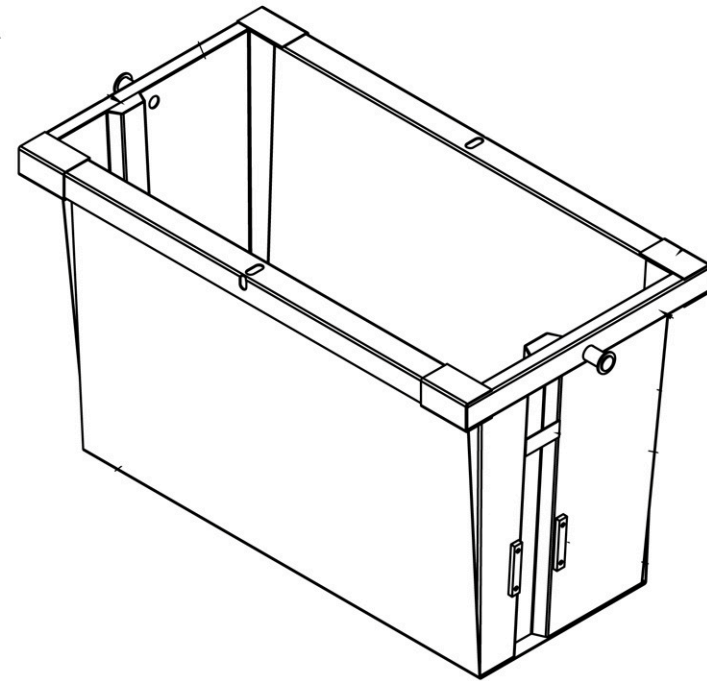
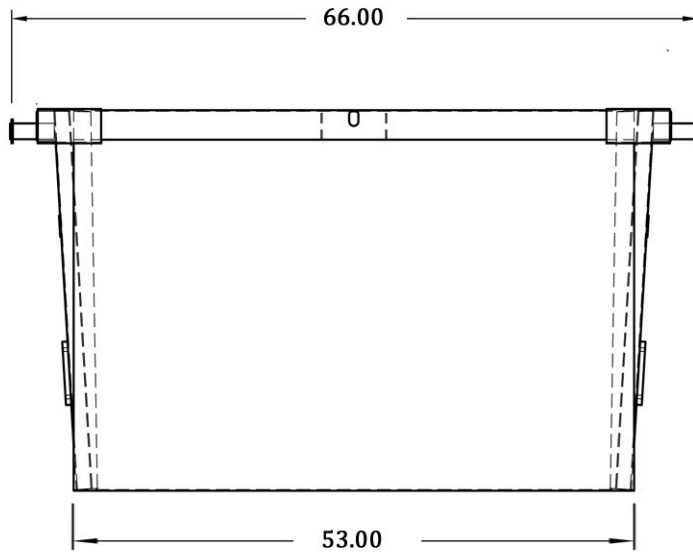
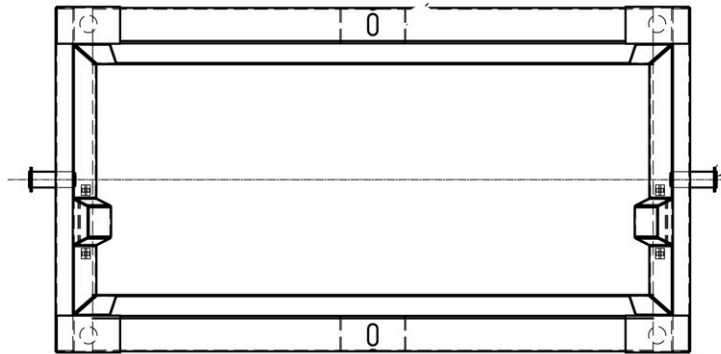


PART #  
MED. CONTR.



MATERIAL:

TOLERANCES NOT SPECIFIED ARE:

- ONE DEC. PLACE (.X) = +/- .125
- TWO DEC. PLACE (.XX) = +/- .062
- THREE DEC. PLACE (.XXX) = +/- .031
- ANGLES (°) = +/- 1.0°

REF	CHANGE	CHNG BY	DATE	E.C. #

**ODKED**  
INCORPORATED  
320 E MAIN  
PO BOX 72  
EASTON, IL 62633  
(309) 562-7271

DESCRIPTION:  
MEDIUM CONTAINER AS.  
DRAWN BY: BGZ  
APPROVED BY:  
DATE: 2/6/09

DO NOT SCALE DRAWINGS

WEIGHT:



PART #  
MED. CONTR

THE INFORMATION CONTAINED IN THIS DRAWING IS THE SOLE PROPERTY OF OFR. ANY REPRODUCTION IN PART OR WHOLE WITHOUT THE WRITTEN PERMISSION OF OFR IS PROHIBITED.