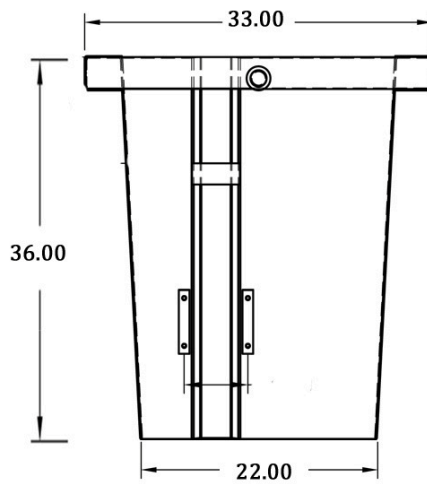
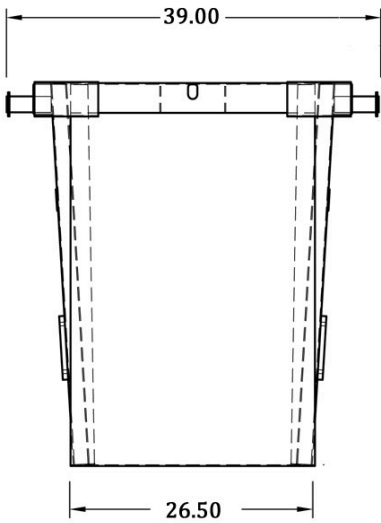
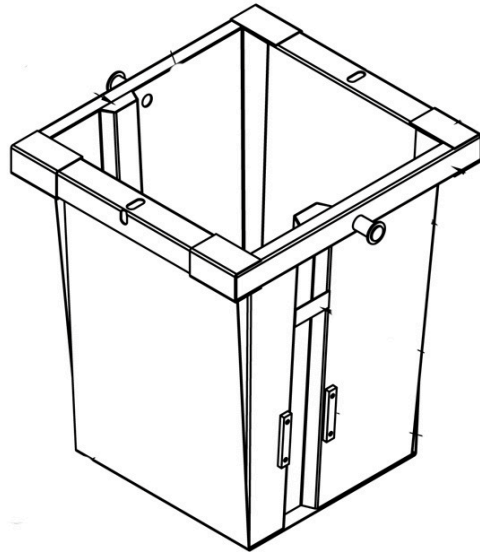
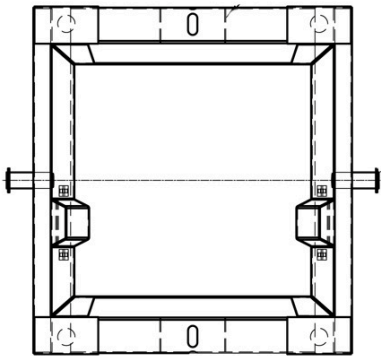


PART #
SM, CONTR.



TOLERANCES NOT SPECIFIED ARE:	
ONE DEC. PLACE (.X) = +/- .125	△
TWO DEC. PLACE (.XX) = +/- .062	△
THREE DEC. PLACE (.XXX) = +/- .031	△
ANGLES (°) = +/- 1.0°	△

REF	CHANGE	CHNG BY	DATE	E.C. #

ONKEN
INCORPORATED
320 E MAIN
PO BOX 12
EASTON, IL 62633
(309) 562-7271

DESCRIPTION: SMALL CONTAINER AS.		DO NOT SCALE DRAWINGS
DRAWN BY: BGZ	WEIGHT:	
APPROVED BY:	DATE: 2/6/09	PART # SM, CONTR.

THE INFORMATION CONTAINED IN THIS DRAWING IS THE SOLE PROPERTY OF OFR. ANY REPRODUCTION IN PART OR WHOLE WITHOUT THE WRITTEN PERMISSION OF OFR IS PROHIBITED.